

Crometta E
Showerpipe 240 1jet EcoSmart 9 l/min Reno
 Surface: **Chrome** Article Number: **27289000**



Description

product features

- consists of: shower bar, overhead shower, hand shower, shower hose, hand shower holder
- overhead shower Crometta E 240
- shower head size overhead shower: 240 x 240 mm
- spray type overhead shower: Rain
- spray disc surface: chrome
- ball-joint: overhead shower angle adjustable
- hand shower holder inclination angle can be adjusted by 45°
- maximum flow rate at 3 bar: 9 l/min
- flow rate Rain spray (at 3 bar): 9 l/min
- spray type hand shower: Rain, IntenseRain
- minimum flow pressure: 1 bar
- max. operating pressure: 10 bar
- mounting type: exposed installation
- pipe can be shortened in height
- shower bar diameter: 22 mm
- height-adjustable hand shower holder
- shower arm length: 350 mm
- water connection: Isiflex shower hose 80 cm
- connection dimension: DN15
- connection thread G 1/2
- suitable for continuous flow water heaters with an output of 18 kW

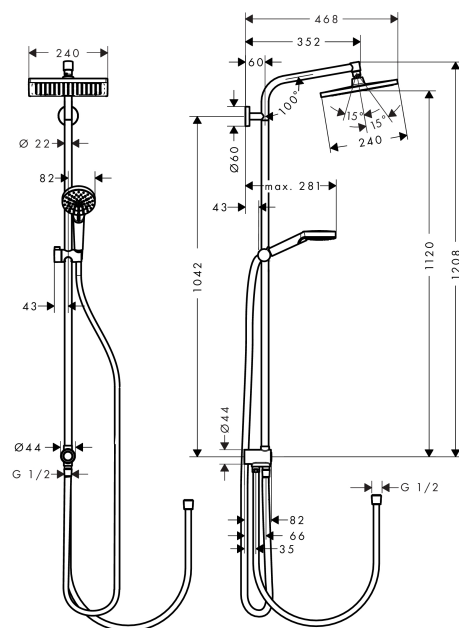
Technology



Product image



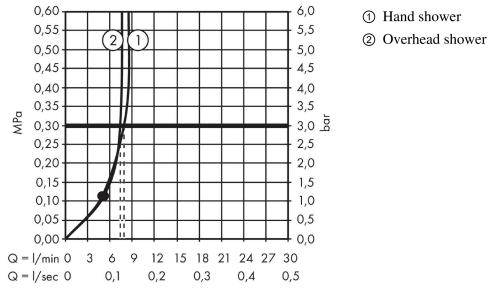
Scale drawing



Crometta E
Showerpipe 240 1jet EcoSmart 9 l/min Reno
 Surface: **Chrome** Article Number: **27289000**



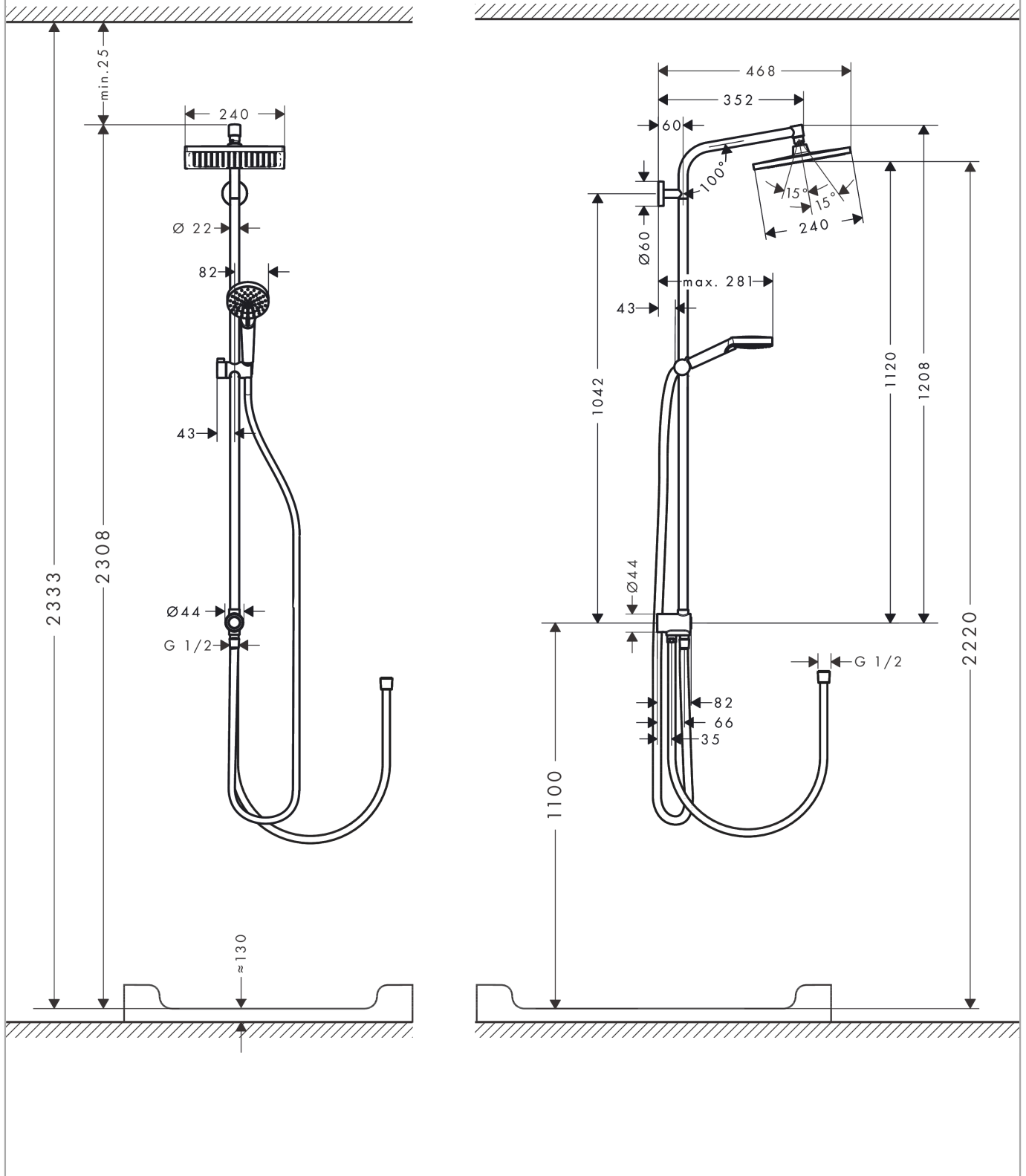
Flowchart



Crometta E
Showerpipe 240 1jet EcoSmart 9 l/min Reno
 Surface: **Chrome** Article Number: **27289000**



Installation examples

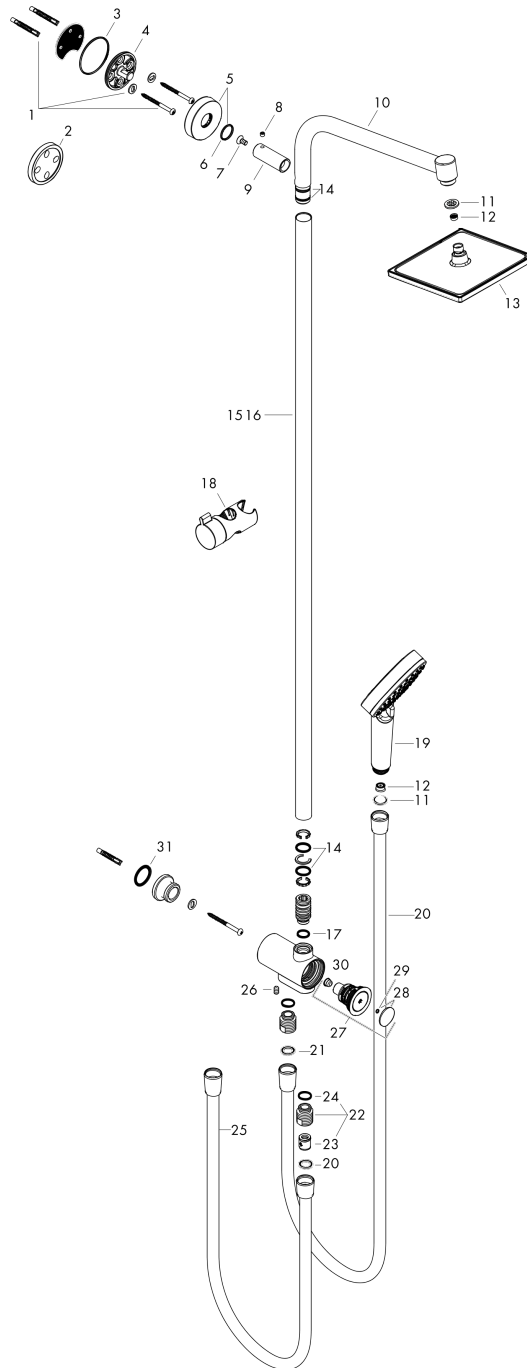


Crometta E
Showerpipe 240 1jet EcoSmart 9 l/min Reno
 Surface: **Chrome** Article Number: **27289000**



Exploded Drawing

Year of production: >04/16



Crometta E
Showerpipe 240 1jet EcoSmart 9 l/min Reno
 Surface: **Chrome** Article Number: **27289000**



Spare part list

Year of production: >04/16

Pos.	Description	Article Number	Price	PU
1	mounting set	96179000	€ 11,66	1
2	tile-matching-disk 7 mm	95239000	€ 14,28	1
3	O-Ring 50x2	98187000	€ 3,33	1
4	wall flange	95688000	€ 28,92	1
5	escutcheon Ø 60 mm	95692000	€ 18,80	1
6	O-ring 20x2	98165000	€ 3,33	1
7	screw	92137000	€ 5,36	1
8	hollow set screw M6x5	98447000	€ 3,33	1
9	sleeve	92166000	€ 36,89	1
10	shower arm	93072000	€ 128,28	1
11	filter packing	94246000	€ 3,33	1
12	flow limiter (9 l/min)	95659000	€ 8,69	1
13	head shower	26727000	-	1
14	O-ring 15x2,5	98131000	€ 3,33	1
15	pipe 1000 mm	96743000	€ 72,47	1
16	pipe 1200 mm	95665000	€ 72,47	1
17	O-ring 12x2,25	98382000	€ 3,33	1
18	support, assy	92366000	€ 36,89	1
19	handshower	26332400	-	1
20	shower hose Isiflex'B 1,60 m	28276000	-	1
21	seal	98058000	€ 3,33	1
22	Hose Connection	96044000	€ 22,97	1
23	set of non return valves DW 15	97350000	€ 18,80	1
24	O-ring 14x2	98129000	€ 3,33	1
25	shower hose	28278000	€ 28,92	1
26	hollow set screw M6x10 DIN 914	96526000	€ 3,33	1
27	selector assy	98343000	€ 72,47	1
28	cover	98344000	€ 22,97	1
29	O-ring 3x1	98384000	€ 3,33	1
30	filter	97735000	€ 3,33	1
31	O-ring 22x3,5	92519000	€ 3,33	1